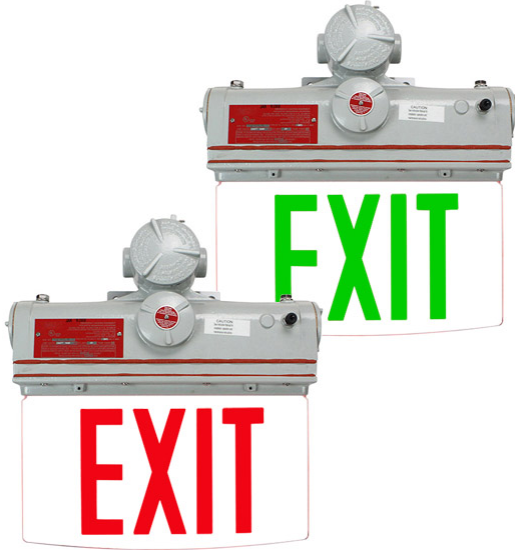




RED/GREEN LED EDGE LIT EXIT SIGN | EXPLOSION PROOF | CLASS 1 DIVISION 1

Code: ELSMX-C1D1



The ELSMX-C1D1 series is designed for indoors and outdoors where flammable gases or vapors or combustible dusts exist and create a hazardous locations.



FEATURES

- Multiple UL Listings and Certifications
- UL 924, UL 844, (See Full List Below)
- Universal 100-277 VAC
- High-Grade Tempered Glass
- Constructed from A356T6 Aluminum
- LED Charging indicator light visible through lens

WARRANTY INFORMATION

Any component that fails due to manufacturer's defect is guaranteed for 1 year. The warranty only covers products installed and maintained in accordance with the instructions provided by their respective manufacturer and no warranty is made with respect to any of our products that are otherwise installed or maintained. For full warranty details, visit our Warranty Section.

Conformance to Codes and Standards

The ELSMX-C1D1 is UL listed and meets and/or exceed multiple certifications; see "Certifications" section for a complete list.

ORDERING INFORMATION

Series	Letter Color	Operation Type	Wattage	Sides
ELSMX-C1D1	R (Red)	BB (Battery Backup)	1W	SC (Single Sided Clear)
	G (Green)		2W	
			3W	
			4W	
			5W	

CONSTRUCTION

The ELSMX-C1D1 Edge Lit Exit Sign series is constructed from A356T6 aluminum with baked-on gray epoxy finish. EXIT faceplate is constructed from high-grade tempered glass.

ILLUMINATION

The ELSMX-C1D1 Edge Lit Exit Sign series is designed with two function modes:

1 - EXIT portion stays illuminated at all times, under normal power or battery backup.

2 - EXIT portion only illuminates ONLY when there is a power outage.

ELECTRICAL COMPONENTS

Universal 100-277 VAC 50/60Hz operation. Unique LED indicator light. Unit offers surge protected, solid state circuitry. Battery backup models offer an external push button test switch, brownout detection, AC lockout, low voltage disconnect and visual LED system fault indicator.

EMERGENCY OPERATION

Upon failure of the normal utility power, an internal solidstate transfer switch automatically provides uninterrupted emergency operation for at least 3 hours.

BATTERY - BATTERY BACKUP

The ELSMX-C1D1 Edge Lit Exit Sign series is designed with a maintenance-free, non-replaceable Li-Ion battery that provides a minimum emergency duration of 180 minutes. Recharge time of the battery is 24 hours.

OPERATIONAL TEMPERATURE

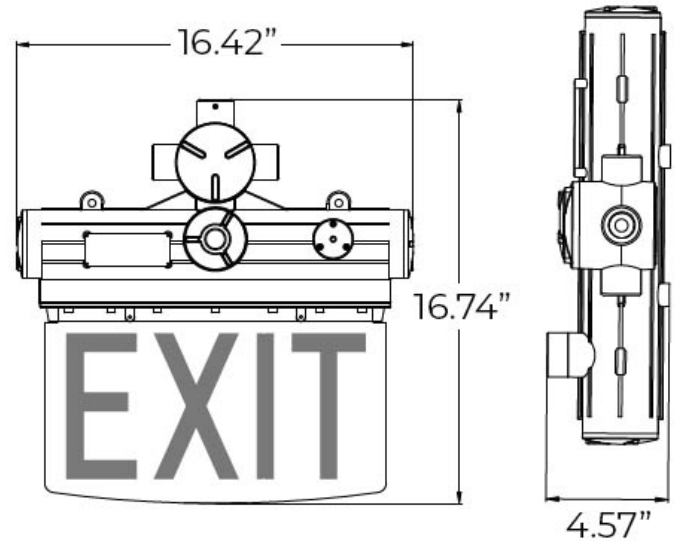
Temperature Ratings

Standard	-4°F to 140°F
----------	---------------

INSTALLATION

The ELSMX-C1D1 Edge Lit Exit Sign series is designed for wall, pendant, and pendant with safe wire installation.

DIMENSIONS



Weight : 20.00 lb

3170 Scott St, Vista, CA 92081
Phone: 877-352-3948 | Fax: 877-352-3949
info@exitlightco.com