



# INDUSTRIAL GRADE WET LOCATION LED EMERGENCY LIGHT | FULLY GASKETED | COLD TEMP | 6V 3W REMOTE HEAD CAPACITY

CODE: EL-LWET



The EL-LWET Emergency Light is a UL-listed, wet location-rated, outdoor lighting solution made of durable polycarbonate with a waterproof design, featuring 120-277VAC dual voltage input, battery backup or remote head capability, and full compliance with NFPA 70 and NFPA 101 Life Safety Code, ensuring reliable performance in any challenging environment.



**Compatible Remote Head(s):** [RHB-L-MV](#), [RHB-WPL-MV](#)

To use with with remote heads, please change the **Operation Type** above to **Battery Backup + Remote Head Capable** to ensure compatibility. Code at time of checkout must read: **EL-LWET-W-RH**.

## FEATURES

- UL 924, NFPA 70, NFPA 101, CEC 20, and Wet Location Listed
- 120-277VAC 50/60Hz
- Fully sealed and gasketed housing
- Includes 2 Adjustable Lamp Heads
- Maintenance-free NiCad Battery
- Sealed momentary push-to-test switch & AC indicator light

## WARRANTY INFORMATION

Any component that fails due to manufacturer's defect is guaranteed for 1 year. The warranty only covers products installed and maintained in accordance with the instructions provided by their respective manufacturer and no warranty is made with respect to any of our products that are otherwise installed or maintained. For full warranty details, visit our [Warranty Section](#).

## Conformance to Codes and Standards

The EL-LWET is UL listed and meets or exceeds the following: UL 924, NFPA 70, NFPA 101, CEC Title 20, and Wet Location Approved.

## ORDERING INFORMATION

Series	Operation Type
EL-LWET	BB (Battery Backup)
	RH-CW (Remote Head Capable + Cold Weather)

## CONSTRUCTION

The EL-LWET Emergency Light is constructed from durable polycarbonate with a waterproof, flame-retardant plastic enclosure and fully rotational lamp heads, ideal for wet locations.

## ILLUMINATION

EL-LWET emergency unit uses two top mounted heads lamps with an output of 380lm. Heads are constructed from high impact thermoplastic. Fully-adjustable.

## ELECTRICAL COMPONENTS

The EL-LWET emergency light features a 120-277VAC dual voltage input, a brownout circuit, battery low voltage protection, a solid-state transfer circuit, a test switch with a battery charging indicator, and a maintenance-free Ni-Cad battery that recharges in 24 hours and provides over 90 minutes of discharge time.

## EMERGENCY OPERATION

Upon failure of the normal utility power, an internal solidstate transfer switch automatically provides uninterrupted emergency operation for at least 90 minutes. The fully automatic solid-state, two-rate charger initiates battery charging to recharge a discharged battery in 24 hours.

## BATTERY - BATTERY BACKUP

The EL-LWET Emergency Light is designed with a maintenance-free 7.2V 2000mAh NiCad battery that provides a minimum emergency duration of 90 minutes. Recharge time of the battery is 24 hours.

## PHOTOMETRICS

Standard mounting height of 8ft illuminates 1 footcandle (FC) **spaced at 45ft for a 3ft path of egress.**

Mounting height of 12ft illuminates 1 footcandle (FC) **spaced at 40ft for a 3ft path of egress.**

## Disclosure:

Spacing is measured in lab condition with an assumed open space, no obstruction and reflection rates of 80 (ceiling) / 50 (walls) / 20 (floor). Actual spacing may vary depending on what environment the fixture is installed in.

## OPERATIONAL TEMPERATURE

Temperature Ratings	
Series	Temperature
Standard Option	32°F to 122°F
Cold Weather Option	-13°F to 122°F

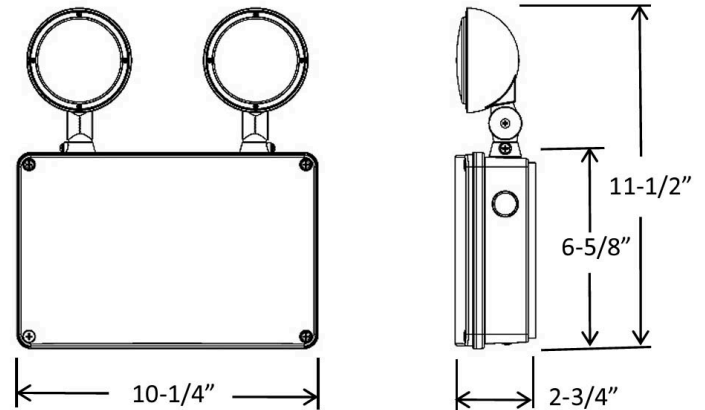
## REMOTE HEAD CAPABLE OPTION

The remote head capability option allows the EL-LWET unit to supply power to up to two additional 6V remote heads up to 3W. The remote heads would then operate on the same emergency mode as the standard units (see Emergency Operation Section).

## INSTALLATION

The EL-LWET is suitable for surface wall mounting, designed with a universal J-Box mounting pattern on back plate.

## DIMENSIONS



Weight : 10.00 lb

