



COMPACT LED EMERGENCY LIGHT | COMPACT SIZE | 200LM OUTPUT | BATTERY BACKUP

Code: EL-M



The EL-M series contemporary design features reliable LED performance wrapped into a compact, stylish and economical package.



Compatible Battery: 3.6V 1000mAh

FEATURES

- UL and cUL listed and meets or exceeds all requirements in NFPA 101 life Safety Code
- Suitable for USA and Canada Market
- All LED light! No SLA batteries, uses long lasting NiCads that are very low maintenance
- 3.6V 1000mAh Battery
- Two fully adjustable, glare-free LED lighting heads
- Injection-molded, high impact, UV-stabilized, UL 94 V-O thermoplastic housing
- Lightweight with snap-together construction for easy installation
- Universal mounting plate with quick-connect feature
- Universal J-box mounting pattern

WARRANTY INFORMATION

Any component that fails due to manufacturer's defect is guaranteed for 1 year. The warranty only covers products installed and maintained in accordance with the instructions provided by their respective manufacturer and no warranty is made with respect to any of our products that are otherwise installed or maintained. For full warranty details, visit our Warranty Section.

Conformance to Codes and Standards

The EL-M series is UL listed and meets or exceeds the following: UL 924, NEC, OSHA and NFPA 101 Life Safety Code requirements.

ORDERING INFORMATION

| Series | Housing Color | Operation Type |
|--------|---------------|---------------------|
| EL-M | W (White) | BB (Battery Backup) |

CONSTRUCTION

The EL-M Series is constructed from injection molded, Impact- and scratch-resistant and corrosion-proof UL 94 V-0 flame retardant thermoplastic housing. White housing is standard.

ILLUMINATION

The EL-M series model is equipped with 1W ultra bright LEDs on each lamp providing a maximum lumen output of 200lm.

ELECTRICAL COMPONENTS

Dual voltage input 120/277 VAC operation. LED display indicates AC/ON. An external push button test switch with battery backup units allows maintenance personnel to quickly determine the operational status of the unit. Unit offers surge protected, solid state circuitry.

EMERGENCY OPERATION

Upon failure of the normal utility power, an internal solidstate transfer switch automatically provides uninterrupted emergency operation for at least 90 minutes. The fully automatic solid-state, two-rate charger initiates battery charging to recharge a discharged battery in 24 hours.

BATTERY - BATTERY BACKUP

The EL-M Emergency Lighting series is designed with maintenance-free 3.6V 1000mAh NiCad battery that provides a minimum emergency duration of 90 minutes. Recharge time of the battery is 24 hours.

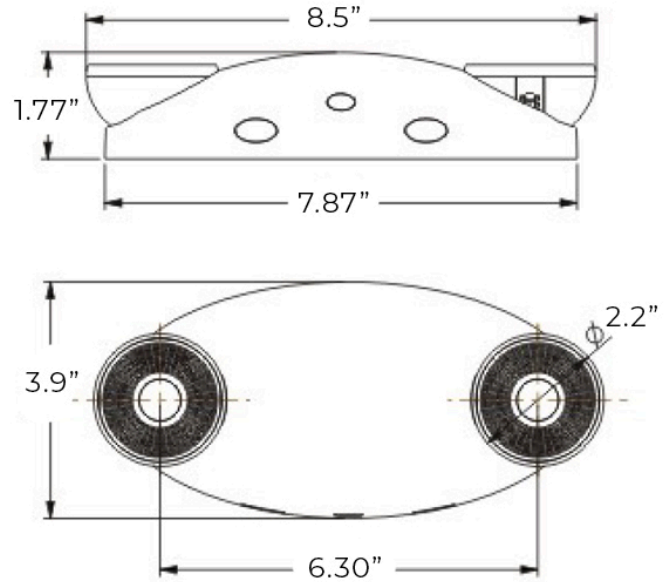
OPERATIONAL TEMPERATURE

| Temperature Ratings | |
|---------------------|-----------------|
| Series | Temperature |
| Standard Option | 32 °F to 104 °F |

INSTALLATION

The EL-M is suitable for wall or ceiling installation via included mounting plate. Snap together design allows for quick and easy installation.

DIMENSIONS



Weight : 1.00 lb

3170 Scott St, Vista, CA 92081
Phone: 877-352-3948 | Fax: 877-352-3949
info@exitlightco.com