



EDGE LIT LED EXIT SIGN | RECESSED CEILING | SPECIAL OPERATION TYPES

Code: ELR-OP



The recessed edge lit ELR-OP series combines precise engineering and low-profile design for architectural excellence.



Compatible Battery: Special Voltage and Self-Testing Model: [BAA-48R](#)

FEATURES

- UL 924, NEC, OSHA and NFPA 101 Life Safety Code
- Certified to CEC under Title 20 Regulations
- Listed for damp location
- Recessed Mounting Only
- Aluminum housing with high grade acrylic face
- Field Installable Arrows for Left, Right or Both directions.
- Long life LED illumination
- Test switch and charge rate indicator on battery backup models
- Dual 120/277 volt operation

WARRANTY INFORMATION

Any component that fails due to manufacturer's defect is guaranteed for 1 year. The warranty only covers products installed and maintained in accordance with the instructions provided by their respective manufacturer and no warranty is made with respect to any of our products that are otherwise installed or maintained. For full warranty details, visit our [Warranty Section](#).

Conformance to Codes and Standards

The ELR-OP series is UL listed and meets or exceeds the following: UL 924, NEC, OSHA and NFPA 101 Life Safety Code requirements.

ORDERING INFORMATION

Series	Letter Color	Housing Color	Operation Type	Sides	Options
ELR-OP	R (Red)	A (Brushed Aluminum)	ST (Self-Testing - BA Only)	SC (Single Clear)	USA (Assembled in USA)
	G (Green)	W (White)	D1 (Dual Circuit 120V/120V)	SM (Single Mirrored)	
		B (Black)	D2 (Dual Circuit 277V/277V)	DM (Double Mirrored)	
				SW (Single White)	

CONSTRUCTION

The ELR-OP Edge Lit Exit Sign series housing is constructed from premium-grade, extruded aluminum. Easily access the battery and internals with detachable trim piece. Standard housing color is aluminum with white and black options available.

ILLUMINATION

The ELR-OP Edge Lit Exit Sign series has ultra bright, emergency efficient, and long lasting LEDs. The UV stabilized ultra clear acrylic edgelit panel provides consistent and uniform illumination.

ELECTRICAL COMPONENTS

Dual voltage input 120/277 VAC operation. LED display indicates AC/ON. An external push button test switch allows maintenance personnel to quickly determine the operational status of the unit. Unit offers brown out, overload and short circuit protection.

EMERGENCY OPERATION

Upon failure of the normal utility power, an internal solidstate transfer switch automatically provides uninterrupted emergency operation for at least 90 minutes. The fully automatic solid-state, two-rate charger initiates battery charging to recharge a discharged battery in 24 hours.

BATTERY - BATTERY BACKUP

The ELR-OP Edge Lit Exit Sign series is designed with a 4.8V maintenance-free NiCad battery. The battery is protected by a low voltage cut-off circuit.

SELF-TESTING OPTION

This unit continuously self checks for proper operation. The multi-color LED indicator light will indicate the status after testing and adjust when corrected. The unit will self test in emergency mode for up to the full 90 minute duration to ensure proper operation during an actual power failure.

OPERATIONAL TEMPERATURE

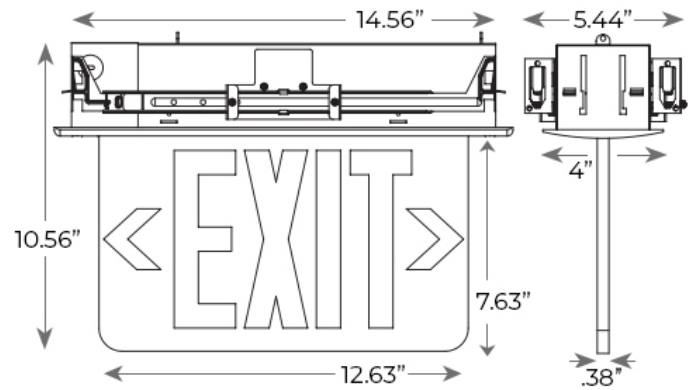
Temperature Ratings

Standard Option	32°F to 122°F
-----------------	---------------

INSTALLATION

The ELR-OP Edge Lit Exit Sign series is suitable for ceiling recessed mounting and compatible with drywall or dropceiling mount installations; bar hangers included. Includes field installable directional arrow indicators. All hardware is included.

DIMENSIONS



Weight : 10.00 lb

3170 Scott St, Vista, CA 92081
Phone: 877-352-3948 | Fax: 877-352-3949
info@exitlightco.com