



EDGE LIT UNIVERSAL RED AND GREEN LED EXIT SIGN | SURFACE MOUNT | ADJUSTABLE ANGLE | WALL, CEILING,

Code: ELRT-U



Introducing the Universal Color LED Exit Sign, the first of its kind in the market. This edge-lit exit sign offers unparalleled versatility with its field-selectable color feature, allowing you to switch effortlessly between red and green LEDs based on your specific needs. Designed for maximum flexibility, this exit sign features an adjustable angle for optimal visibility in any space. Whether you need a ceiling, wall, or side mount configuration, this exit sign adapts seamlessly to any installation environment. Perfect for ensuring safety and compliance, this versatile exit sign is a smart choice for any setting, offering both functionality and sleek, modern aesthetics.



FEATURES

- UL 924, NEC, OSHA and NFPA 101 Life Safety Code
- Listed for damp location
- Field Selectable Red and Green
- Most versatile edge lit exit sign on the market
- Wall, sloped, high, or standard ceiling and recessed mount available
- Aluminum housing with high grade acrylic face
- Field Installable Arrows for Left, Right or Both directions.
- Long life LED illumination
- Test switch and charge rate indicator on battery backup models
- Dual 120/277 volt operation
- CEC Compliant

WARRANTY INFORMATION

Any component that fails due to manufacturer's defect is guaranteed for 1 year. The warranty only covers products installed and maintained in accordance with the instructions provided by their respective manufacturer and no warranty is made with respect to any of our products that are otherwise installed or maintained. For full warranty details, visit our Warranty Section.

Conformance to Codes and Standards

The ELRT-U series is UL listed and meets or exceeds the following: UL 924, NEC, OSHA and NFPA 101 Life Safety Code requirements.

ORDERING INFORMATION

Series	Letter Color	Housing Color	Operation Type	Sides
ELRT	U (Red and Green)	A (Brushed Aluminum)	BB (Battery Backup)	SC (Single Clear)
		W (White)	AC (AC Only)	DM (Double Mirrored)
		B (Black)		

CONSTRUCTION

The ELRT-U Edge Lit Exit Sign housing is constructed of die-cast aluminum housing with an etched, clear acrylic panel. Double sided panel comes as mirrored configuration. Lettering is 6" high with 3/4" stroke. Aluminum housing is standard, black and white housing available.

ILLUMINATION

The ELRT-U Exit Sign series delivers long-lasting LED illumination with a high-output LED board that includes both red **AND** green options (Red is set as default). The energy-efficient design consumes less than 3 watts for AC-only models, while battery backup units are rated at less than 4 watts, ensuring reliable performance with minimal energy use.

ELECTRICAL COMPONENTS

Dual voltage input 120/277 VAC operation. LED display indicates AC/ON. An external push button test switch allows maintenance personnel to quickly determine the operational status of the unit. Unit offers brown out, overload and short circuit protection.

EMERGENCY OPERATION

Upon failure of the normal utility power, an internal solidstate transfer switch automatically provides uninterrupted emergency operation for at least 90 minutes. The fully automatic solid-state, two-rate charger initiates battery charging to recharge a discharged battery in 24 hours.

BATTERY - BATTERY BACKUP

The ELRT-U series is designed with a 3.6V 300mAh maintenance-free NiCad battery. The battery is protected by a low voltage cut-off circuit.

SELF-TESTING OPTION

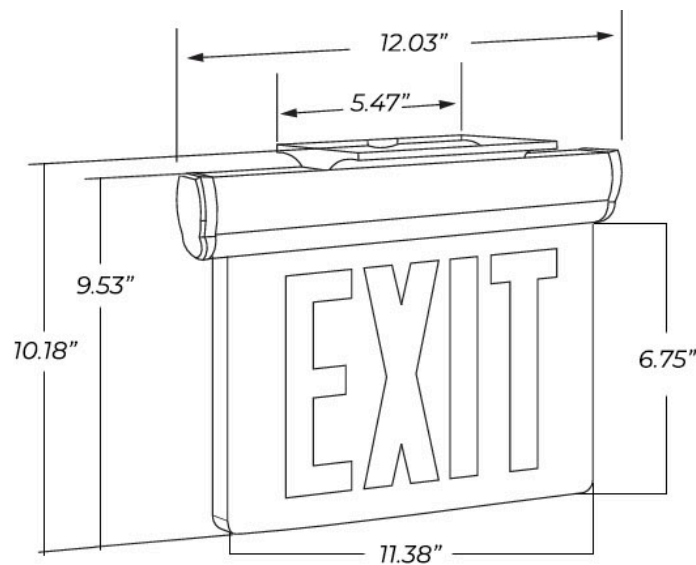
OPERATIONAL TEMPERATURE

Temperature Ratings	
Standard Option	50°F to 104°F

INSTALLATION

The ELRT-U is versatile and adaptable, suitable for mounting on walls, sloped or side surfaces, as well as high or standard ceilings. It comes with field-installable directional arrow indicators for added flexibility. All necessary hardware is included for a hassle-free installation.

DIMENSIONS



Weight : 5.00 lb

3170 Scott St, Vista, CA 92081
Phone: 877-352-3948 | Fax: 877-352-3949
info@exitlightco.com