



Introducing the new ELSM-EU emergency sign, featuring a sleek white housing, European approval, a 3-hour runtime, interchangeable running man pictograms, and versatile mounting options for both ceiling and wall applications.



FEATURES

- 3-Hour Runtime
- IP40 Rated
- 220-240V 50/60Hz
- Listed for damp locations
- LiFePO4 Battery
- Thermoplastic Housing
- Field installable pictograms
- AC On indicator light and push-to-test button

WARRANTY INFORMATION

Any component that fails due to manufacturer's defect is guaranteed for 1 year. The warranty only covers products installed and maintained in accordance with the instructions provided by their respective manufacturer and no warranty is made with respect to any of our products that are otherwise installed or maintained. For full warranty details, visit our Warranty Section.

Conformance to Codes and Standards

The ELSM-EU Exit Sign series has an IP rating of 40. Class II luminaire classification.

ORDERING INFORMATION

Series	Housing Color	Operation Type	Pictograms Included
ELSM-EU	W (White)	BB (Battery Backup)	Running Man Left Arrow
			Running Man Right Arrow
			Running Man Down Arrow
			Blank Panel

CONSTRUCTION

The ELSM-EU Running Man Sign series signage panels are constructed and molded from high-grade acrylic. Mylar divider standard on double sided units. Standard housing finish is white.

ILLUMINATION

The ELSM-EU Running Man Sign features SMD 2835 type LEDs with a color temperature of 5700k (cool white). CRI measures greater than 70.

ELECTRICAL COMPONENTS

Universal voltage input 220-240V 50/60Hz operation. LED display indicates AC/ON. An external push button test button on battery backup units allows maintenance personnel to quickly determine the operational status of the unit.

EMERGENCY OPERATION

Upon failure of the normal utility power, an internal solidstate transfer switch automatically provides uninterrupted emergency operation for at least 3 hours. The fully automatic solid-state, two-rate charger initiates battery charging to recharge a discharged battery in 24 hours.

BATTERY - BATTERY BACKUP

The ELSM-EU Running Man Sign is designed with a maintenance-free LiFePO4 battery that provides a minimum emergency duration of 3 hours. Recharge time of the battery is 24 hours.

OPERATIONAL TEMPERATURE

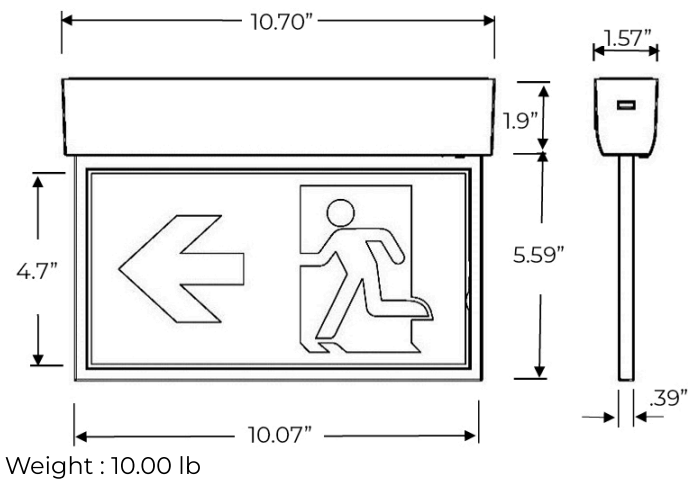
Temperature Ratings

Standard Option	32°F to 113°F
-----------------	---------------

INSTALLATION

The ELSM-EU Running Man Sign series is designed for versatile wall or ceiling mounting. It comes with included pictograms for easy field installation, along with all necessary hardware.

DIMENSIONS



ELECTRICAL INFORMATION

Series	Input Voltage	Power Consumption	Discharge Duration
ELSM-EU	220-240V 50/60Hz	4W	3 hours