

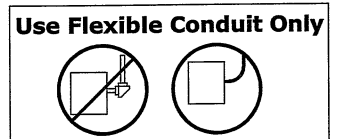


IMPORTANT SAFEGUARDS READ AND FOLLOW ALL SAFETY INSTRUCTIONS

WHEN USING ELECTRICAL EQUIPMENT, BASIC SAFETY PRECAUTIONS SHOULD ALWAYS BE FOLLOWED INCLUDING THE FOLLOWING:

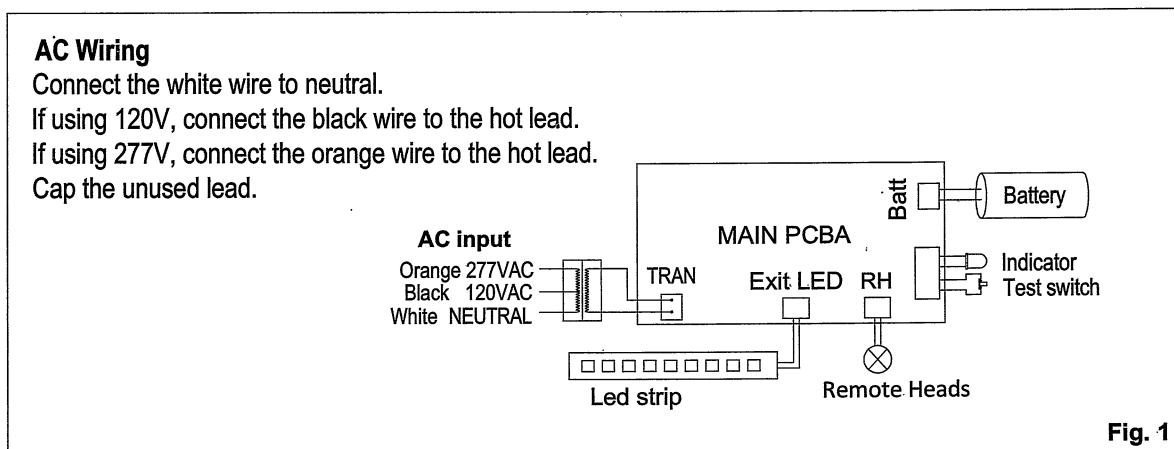
1. Installation is to be performed only by qualified licensed electrician.
2. All electrical connections must be in accordance with local codes, ordinances, and the National Electric Code.
3. Before starting the installation, disconnect the power by turning off the circuit breaker or by removing the appropriate fuse at the fuse box. Turning the power off using the light switch is not sufficient to prevent electrical shock.
4. Suitable for damp location . Do not use outdoors.
5. Do not let power supply cords touch hot surfaces.
6. Do not use in hazardous location or mount near gas or electric heaters.
7. Use cautions when servicing batteries. Battery acid can cause burns to skin and eyes. If acid is spilled on skin or in eyes, flush acid with fresh water and contact a physician immediately.
8. Equipment should be mounted in location and at heights where it will not readily be subject to tampering by unauthorized personnel.
9. The use of accessory equipment not recommend by the manufacturer may cause an unsafe condition.
10. After installation, allow battery to recharge for 24 hours before the first full duration discharging test.
11. Do not use this equipment for other than intended use.
12. All servicing should be performed by qualified personnel only.

13. SAVE THESE INSTRUCTIONS



SAVE THESE INSTRUCTIONS

WIRING DIAGRAM



INSTALLATION INSTRUCTIONS

RECESSED CEILING & WALL MOUNT

NOTICE: MUST WEAR GLOVES.

1. Position recessed kits between joists. Make sure bar hangers to be hanged in the correct position. Position recessed kits temporarily by hammering "nail-in" tabs on bar hangers, then secure permanently with nails. Bar hangers should be level with bottom of joists. Adjust height of recessed kits vertically using adjusting slots and then tightening all screws on adjusting slots and bar hanger bracket to secure adjusting bracket and bar hangers.
2. Separate trim plate, connect battery connectors.
3. Hang safe rope to the module clip see Fig. 5
4. Disassembly J-box cap, Route the AC line and proper wires into the J-Box.
5. Make electrical connections as wiring diagram.
6. Push excess wire into J-Box, tighten J-box cap back.
7. Assembly trim plate back use M3*15mm screws.
8. Peel off protection film from EXIT panel, Connect light bar connector, assembly panel module to trim plate.

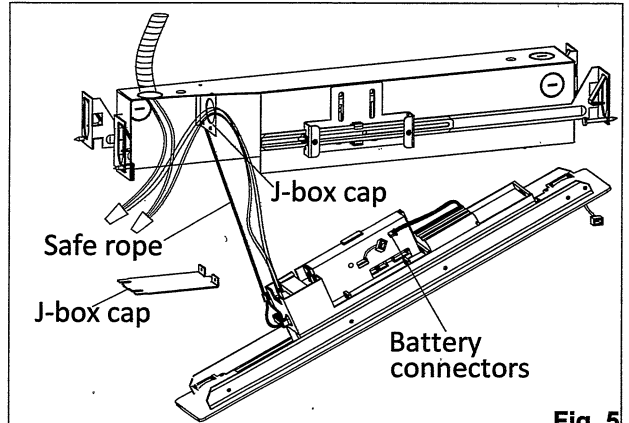


Fig. 5

Recessed wall mount

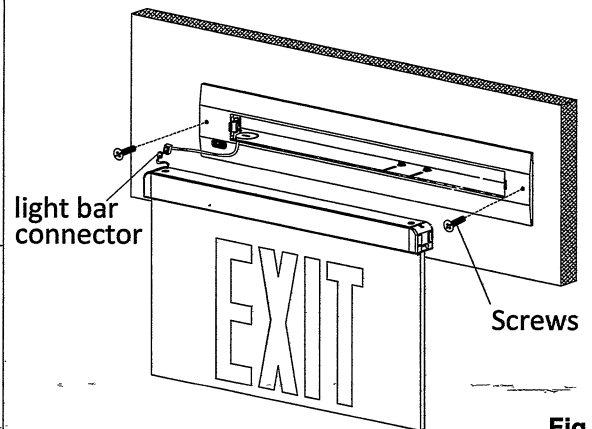


Fig. 6

Recessed ceiling mount

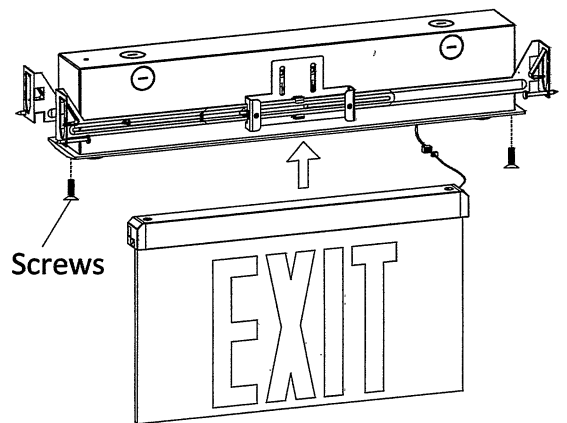


Fig. 7

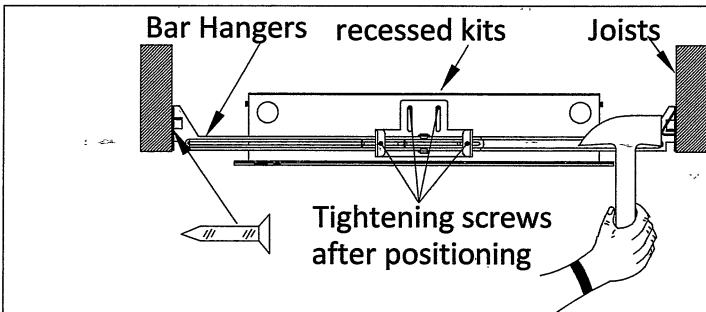
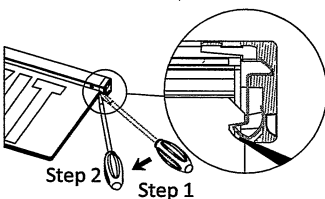
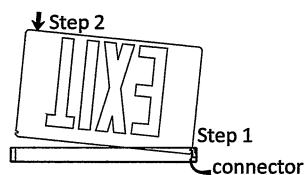


Fig. 2



Disassembly (Double Face) Panel

Using flat screw driver insert the gap between the panel and clip, press the spring let the panel slot out of the spring, then can take out the panel.



Assembly (Single Face) Panel

Make sure single face panel EXIT letter direction is correct as left figure. Alignment one side slot of the panel to the spring first, push another side panel slot into the spring.

Fig. 3

Connecting Remote Heads

Plug the remote male connector into the female connector. Connect extended remote head wires to the remote wires using wire nut. Yellow is positive(+) and the purple is negative(-). Remote capability: 3.6V 3W max.

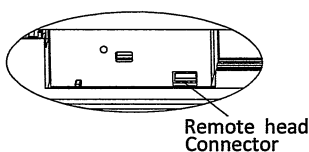


Fig. 4

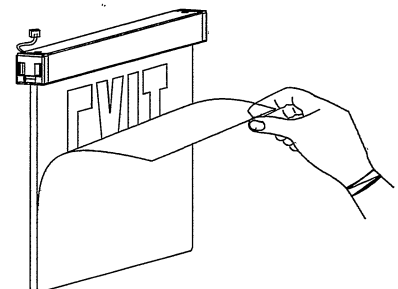


Fig. 8