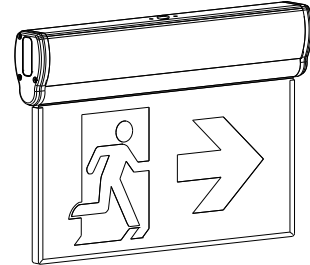


Package Contents:

Part	Description	Quantity
1	LED Edge-Lit EXIT Sign	1
2	Canopy	1
3	Hardware Bag	1



*Warnings and Cautions*

**IMPORTANT SAFEGUARDS**

**READ AND FOLLOW ALL SAFETY INSTRUCTIONS.**

When using electrical equipment, basic safety precautions should always be followed including the following

1. Before beginning the installation, disconnect the power by turning off the circuit breaker or removing the appropriate fuse from the fuse box. Simply using the light switch to turn off the power is not sufficient to prevent electrical shock.
2. Do not use this equipment outdoors.
3. Do not mount near gas or electric heaters.
4. Exercise caution when servicing batteries, as battery acid can cause burns to the skin and eyes. If acid comes into contact with skin or eyes, flush with fresh water and seek medical attention immediately.
5. Mount the equipment in locations and at heights where it will not be tampered with by unauthorized personnel.
6. Using accessory equipment not recommended by the manufacturer may result in unsafe conditions.
7. Use this equipment only for its intended purpose.
8. All servicing should be performed by qualified personnel only.
9. Allow the battery to charge for 24 hours before initial use.

**SAVE THESE INSTRUCTIONS**

*ELECTRICAL CONNECTIONS*

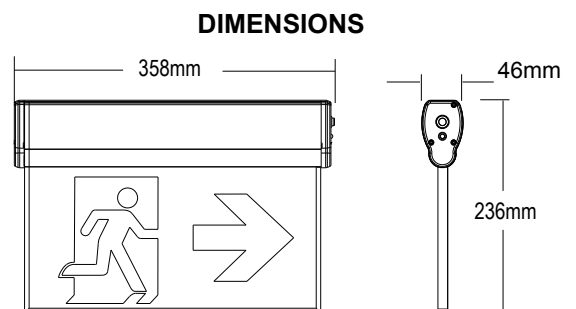
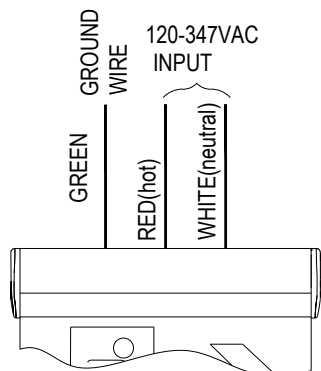
**AC Wiring**

Input Voltage : 120-347VAC, 60Hz

Connect the white wire to neutral.

Connect the red wire to hot.

Connect the green wire to ground.

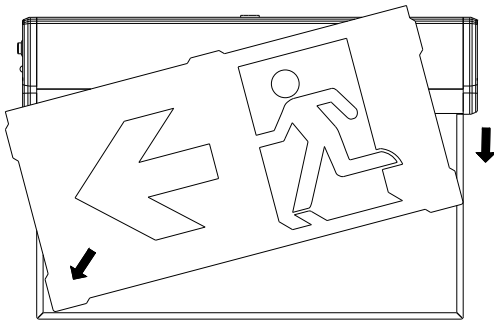


# Mounting Instructions

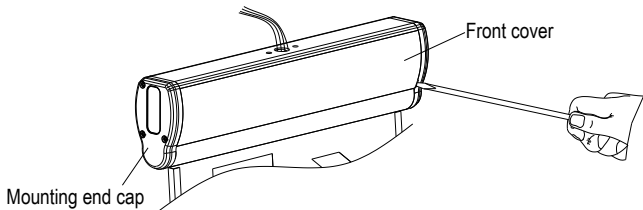
**NOTE:** First turn off electricity.

## Surface Ceiling & Wall Mounting

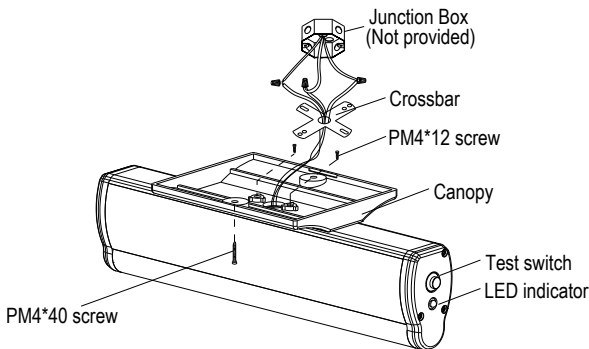
1. Insert the pictogram into the body aluminum frame, make sure pictogram direction is correct.



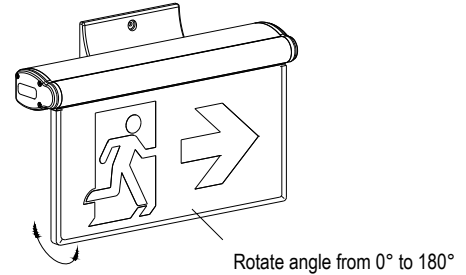
2. Attach crossbar to junction box.(TM8#-32\*-1)
3. Use screwdriver open front cover to connect battery connector.



4. Feed AC supply wires through canopy center hole.
5. Assemble canopy onto main body assembly with (2) PM4\*12 screws(supplied) and make proper wire connections. (See ELECTRICAL CONNECTIONS).
6. Use (2) PM4-40 screws (supplied) tighten canopy to crossbar.

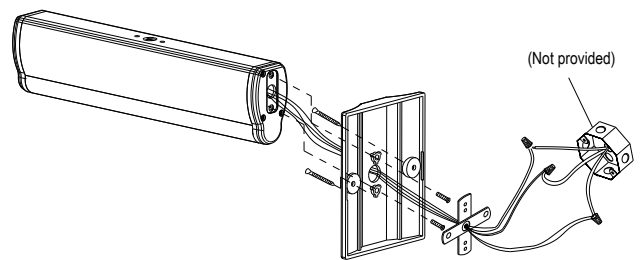


7. The unit can be installed on any surface, you may rotate the acrylic panel in any angle from 0° to 180°, Ceiling mounting rotate 90° become Wall mounting.



## Surface Side Mounting

1. Attach crossbar to junction box.
2. Use screwdriver open front cover to connect battery connector.
3. Remove the hole plug from mounting end cap.
4. Pull out all AC supply wires and feed wires thru the center holes of mounting end cap and then canopy.
5. Reference 5 - 7 step in surface ceiling & wall mounting above for surface end mounting.



### Maintenance

If the product remains in storage for over 9 months, the battery must be recharged. For detailed instructions, refer to the "Battery Stock and Recharge Guideline." Regular testing of the equipment is recommended in accordance with local codes. Replace the batteries if the discharge time does not meet the required 120 minutes.

### Operation (For Manual Test Version)

To perform a manual test, press the test button. The unit will illuminate using battery backup, and the LED indicator will turn off. Release the test switch to turn the LED indicator back on.

### Troubleshooting Guide

If the LED heads or LED indicator does not illuminate, check the following:

Verify the AC supply to ensure the unit has a continuous 24-hour AC supply.

Check the battery connection.

Discharge the battery, charge it for 24 hours, and then retest.

If the problem persists after following these troubleshooting steps, contact the manufacturer for assistance.