

# Assembling and Installation Process Pendant Mount Kit - PM-KIT

## 1. Prepare the Crossbar (Part #33)

The swivel crossbar (Part #33) is the foundation of the assembly. It should be attached to the electrical box in the ceiling using the appropriate screws. The two slots in the crossbar are meant for aligning with the electrical box screws. Ensure the crossbar is securely attached, as this will support the entire pendant fixture.

## 2. Insert the Threaded Rod and Half Ball (Parts #34 & #22)

The 3/8" IP tap half ball (Part #34) screws onto the threaded rod that will be the primary support for the pendant fixture. The half ball allows for some angular adjustment (swivel) so that the pendant can hang straight even if the mounting is not perfectly aligned.

The square nuts (Part #22) should be threaded onto the rod at the appropriate points to lock the rod in place. One nut goes on top of the crossbar and the other below it to prevent any wobbling or loosening. Tighten the nuts so that the rod is firmly locked into position.

## 3. Attach the Ground Screw (Part #32)

The green ground screw (Part #32) is used to secure the ground wire, ensuring that the assembly is properly grounded for electrical safety. Connect the ground wire from the ceiling to the ground screw on the crossbar.

## 4. Place the Cover Plate (Part #46)

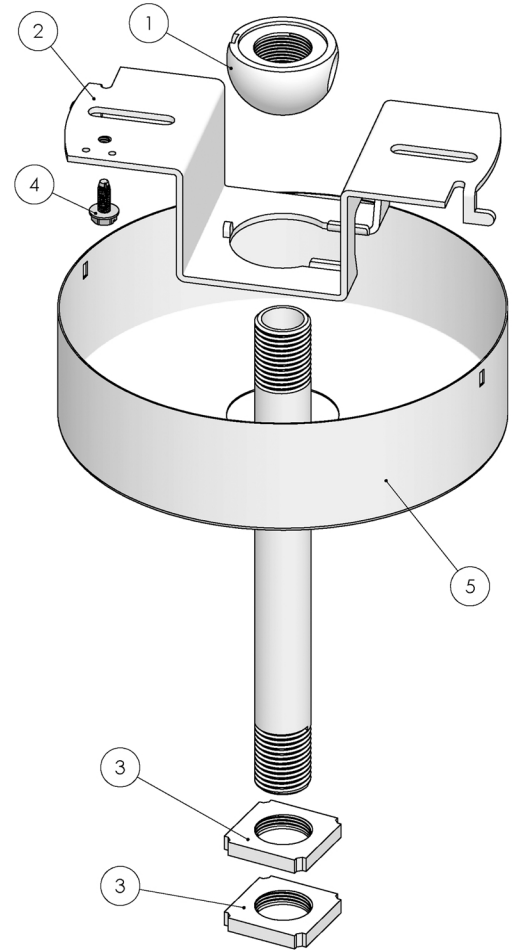
The white cover plate (Part #46) goes over the entire assembly to hide the mounting hardware and the electrical connections. This cover plate has a 1.25" hole in the center, allowing the threaded rod to pass through. Make sure that it is properly aligned, and it may be fastened or adjusted using the side slots that align with the crossbar or mounting points.

## 5. Adjust the Assembly

After the cover plate is in place, ensure that all the parts are securely tightened and adjusted. The half ball (Part #34) allows for some movement or swiveling, so adjust the position of the rod to ensure that the pendant fixture hangs straight.

## 6. Final Wiring and Fixture Installation

Once the pendant mount is securely assembled and aligned, you can complete the electrical wiring for the light fixture. Connect the remaining wires (typically live and neutral) to the appropriate terminals. Finally, attach the pendant light or other fixture to the bottom of the threaded rod or the mounting point as required by the specific fixture design.



ITEM NO.	PART NUMBER	DESCRIPTION	QTY.
1	#34	3/8" IP Tap Half Ball	1
2	#33	Swivel Crossbar for #34, #35, #147, & #272 ADJ Half Balls. 2" W x 4 7/8" L x 1 3/8" H x 14 Gauge	1
3	#22	3/8" IP x 1 1/16" Square x .073" Thick Zinc Plated	2
4	#32	8/32 Green Ground Screw	1
5	#46	5" DIA x 1.4" H White 1.25" Center Hole with side slots for #33	1